

PRODUCT CODE: SR13B
EXTENSION RING



DESCRIPTION

13mm Extension Ring

FINISH

Black Enamel

MATERIAL

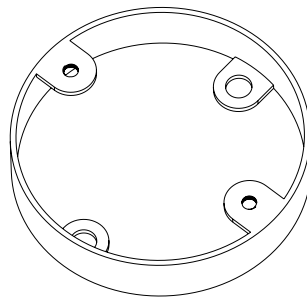
Steel

PACKAGING

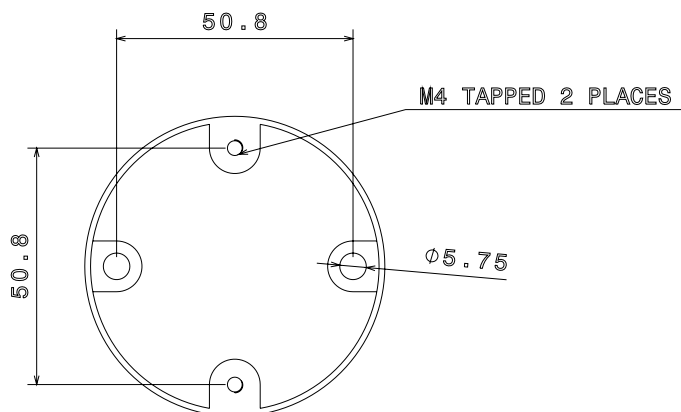
Packed in qty 50

ADDITIONAL NOTES

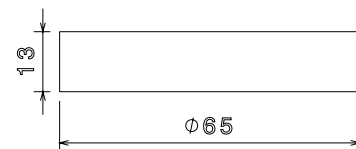
Conforms to BS EN61386-1



Isometric view



Top view



Side view